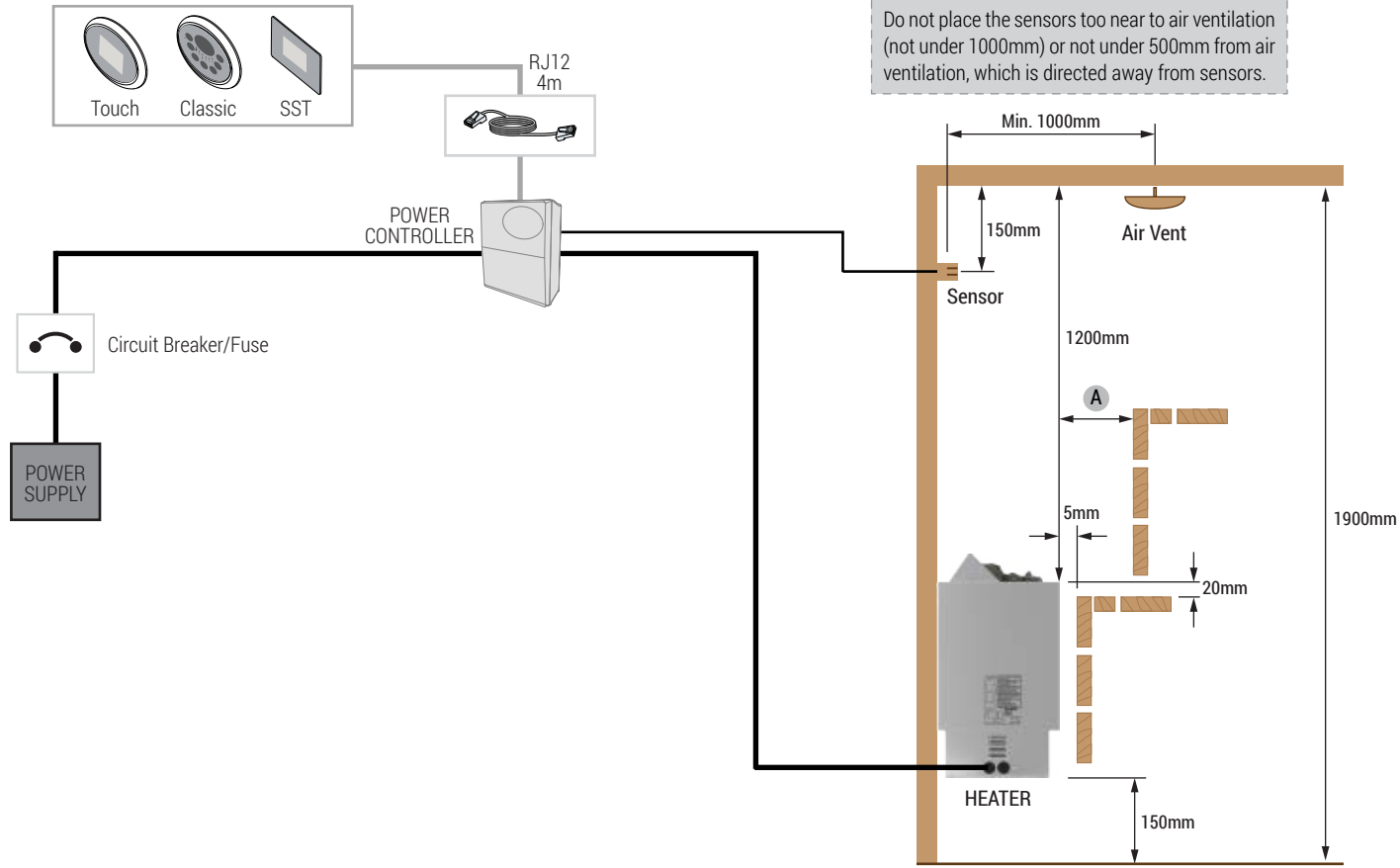


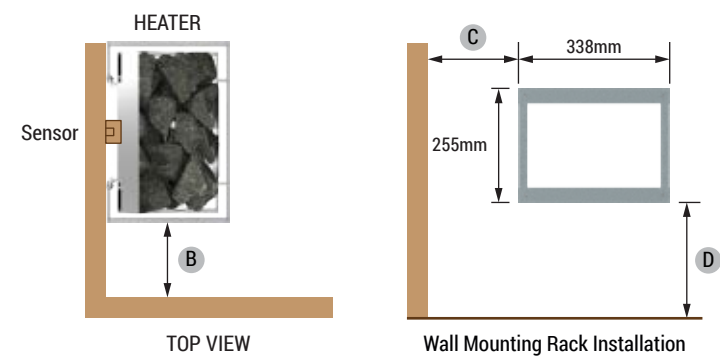
# NORDEX HEATER- Installation Diagram for Separate Control (NS)

**NOTE!**  
Do not place the sensors too near to air ventilation (not under 1000mm) or not under 500mm from air ventilation, which is directed away from sensors.



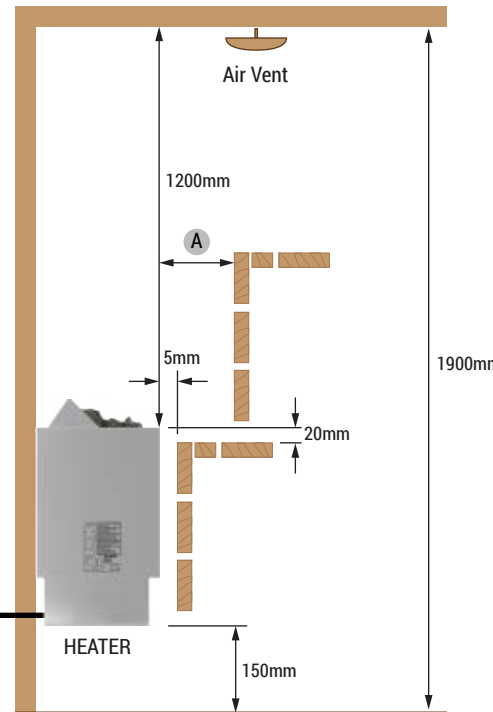
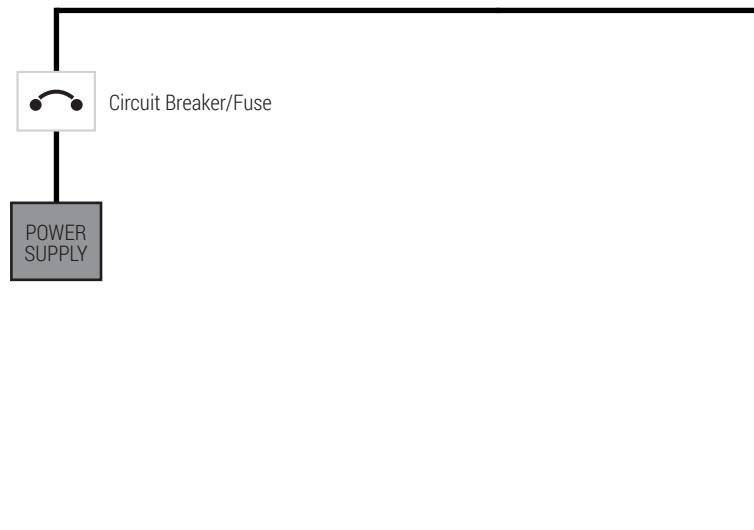
**Minimum Safety Distances**

Heater Model	A	B	C	D
NRX-45NS	50	50	80	320
NRX-60NS	50	50	80	320
NRX-80NS	80	80	110	395
NRX-90NS	80	80	110	395





# NORDEX HEATER- Installation Diagram for Built-in Control (NB)



### Minimum Safety Distances

Heater Model	A	B	C	D
NRX-45NB	50	50	80	320
NRX-60NB	50	50	80	320
NRX-80NB	80	80	110	395
NRX-90NB	80	80	110	395

